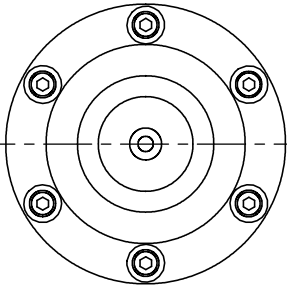
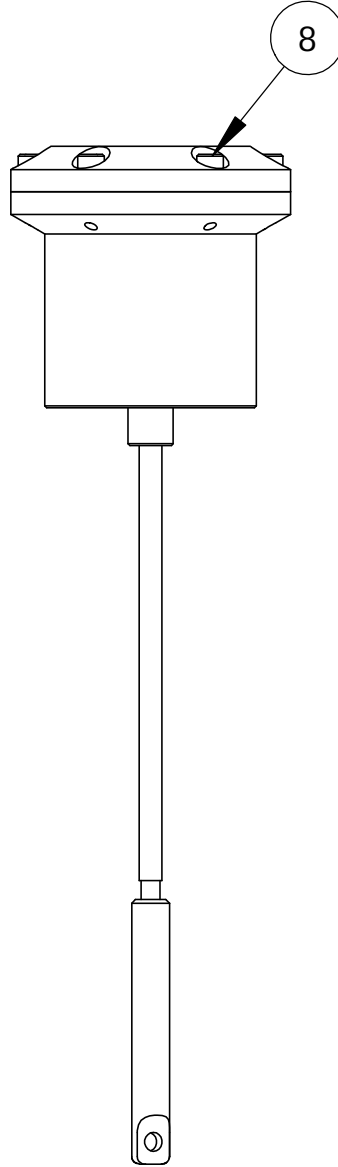
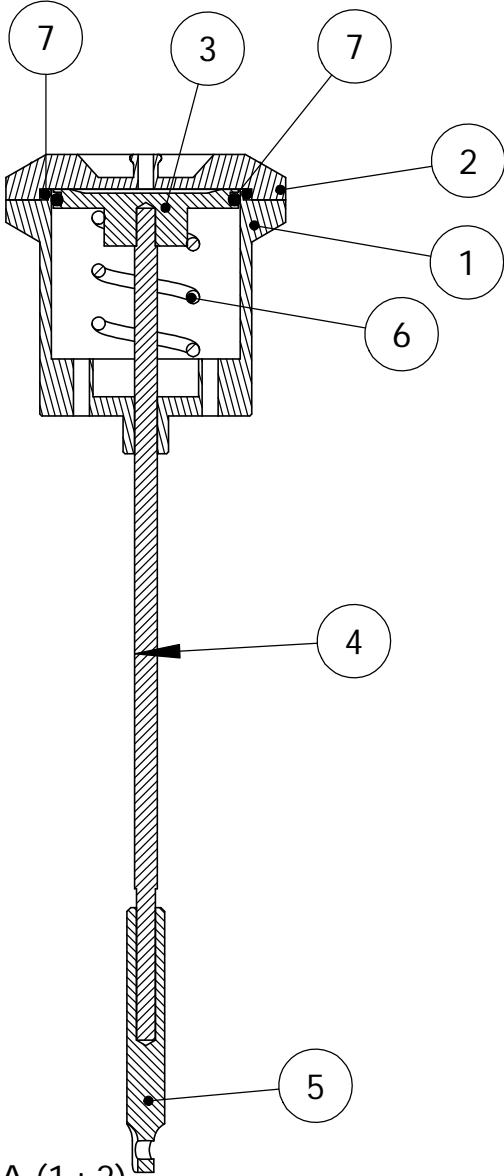


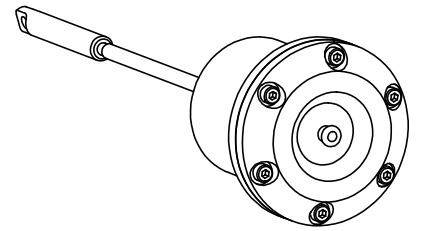
A  
B  
C  
D  
E



ITEM	QTY.	PART NO.	DESCRIPTION
1	1	Actuator body	
2	1	Actuator lid	
3	1	Actuator piston	
4	1	Actuator rod	
5	1	Actuator end	
6	1	Actuator Pressure Spring	2.5x27.5x74.5 RST
7	2	O-RING-iso	44 x 3, 51 x 2.4 NBR
8	6	DIN 912 - M4x10	Hex. Socket Screw



2.5x27.5x74.5 RST  
VD23100 (Meconet)



A-A (1 : 2)

UNLESS OTHERWISE SPECIFIED:  
DIMENSIONS ARE IN MILLIMETERS  
SURFACE FINISH:  
TOLERANCES:  
LINEAR:  
ANGULAR:

FINISH:

DEBUR AND  
BREAK SHARP  
EDGES

DO NOT SCALE DRAWING

REVISION

WWW.COSWORTHRSCLUB.COM

	NAME	SIGNATURE	DATE		
DRAWN	HS				
CHK'D					
APPV'D					
MFG					
Q.A					
				MATERIAL:	
				WEIGHT:	

TITLE:  
-31 ACTUATOR ASSEMBLY

DWG NO. **-31 Actuator assembly**

SCALE:1:5

SHEET 1 OF 1

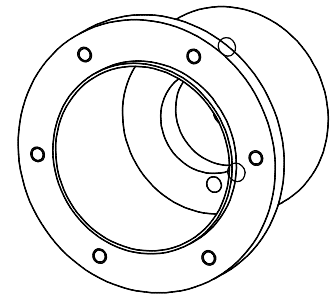
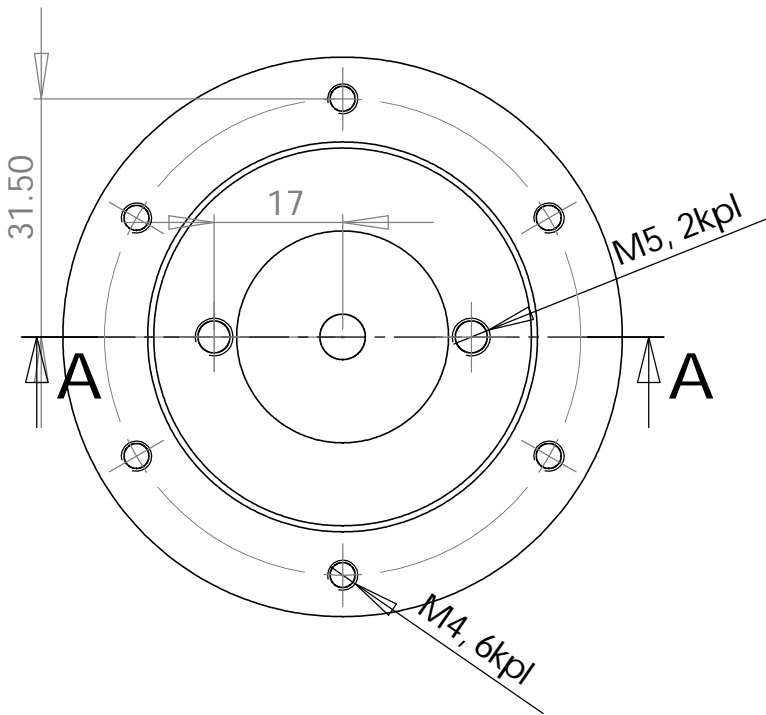
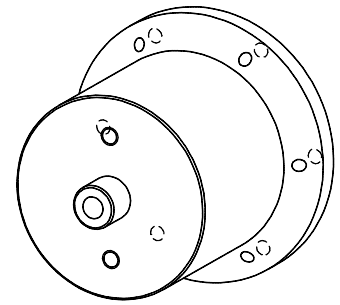
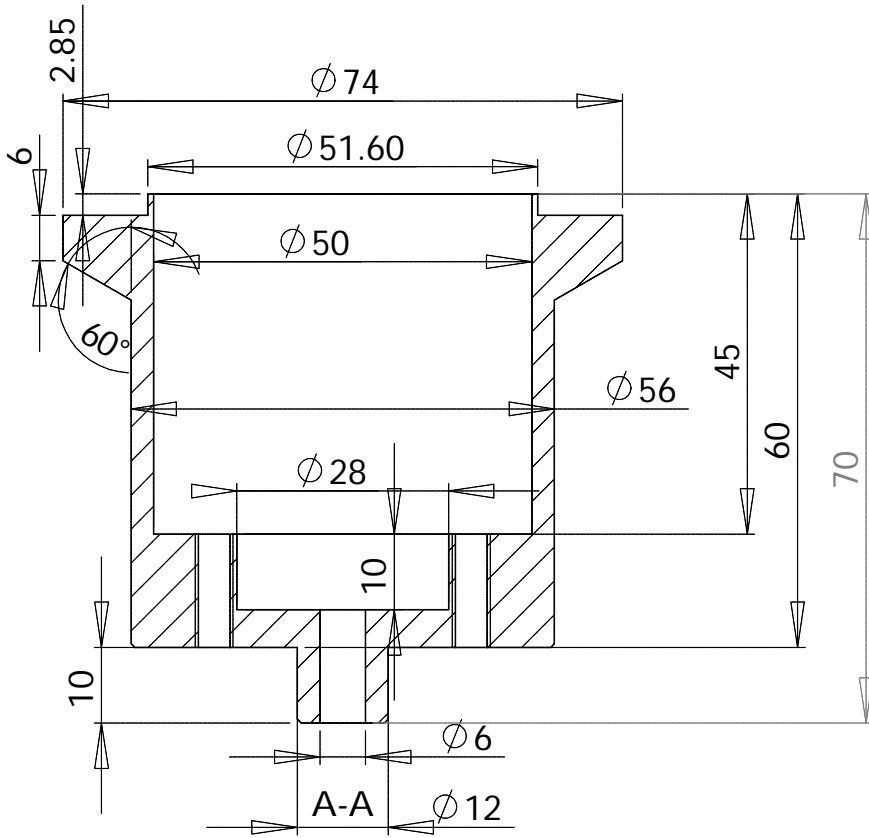
A

B

C

D

E



UNLESS OTHERWISE SPECIFIED:  
DIMENSIONS ARE IN MILLIMETERS  
SURFACE FINISH:  
TOLERANCES:  
LINEAR:  
ANGULAR:

FINISH:

DEBUR AND  
BREAK SHARP  
EDGES

DO NOT SCALE DRAWING

REVISION

	NAME	SIGNATURE	DATE		
DRAWN					
CHK'D					
APPV'D					
MFG					
Q.A					
				MATERIAL:	
				WEIGHT:	

TITLE:

-31 actuator body  
Aluminium

DWG NO.

-31 Actuator body A4

SCALE:1:1

SHEET 1 OF 1

A

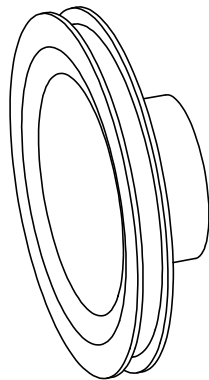
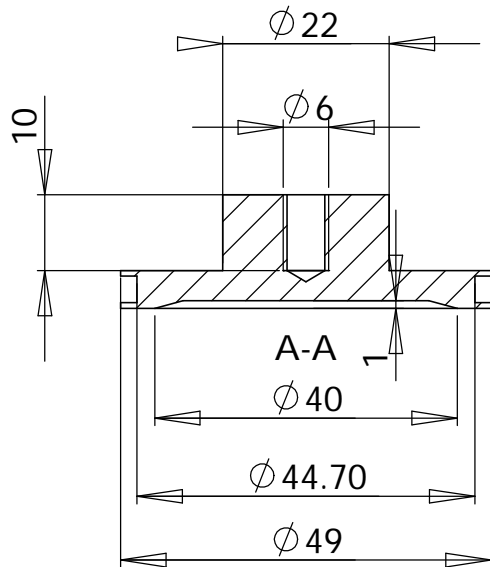
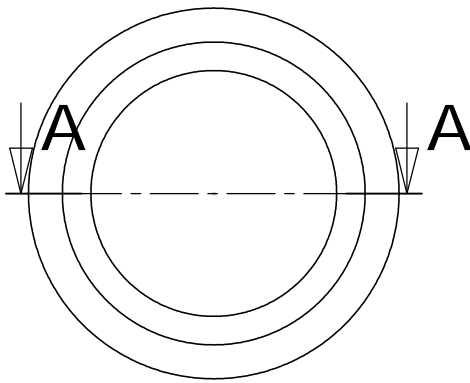
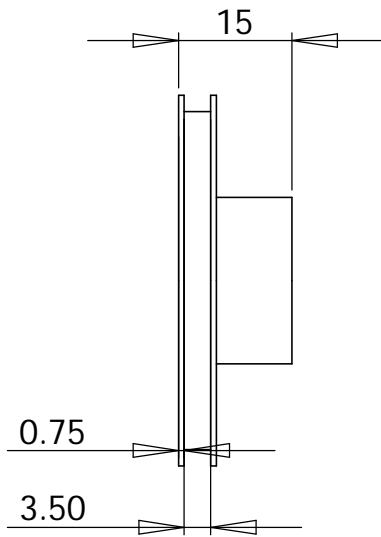
B

C

D

E

F



UNLESS OTHERWISE SPECIFIED:  
DIMENSIONS ARE IN MILLIMETERS  
SURFACE FINISH:  
TOLERANCES:  
LINEAR:  
ANGULAR:

FINISH:

DEBUR AND  
BREAK SHARP  
EDGES

DO NOT SCALE DRAWING

REVISION

WWW.COSWORTHRSCLUB.COM

	NAME	SIGNATURE	DATE		
DRAWN	HS				
CHK'D					
APPV'D					
MFG					
Q.A					
				MATERIAL:	
				ALUMINIUM	
				WEIGHT:	

TITLE:

-31 ACTUATOR PISTON

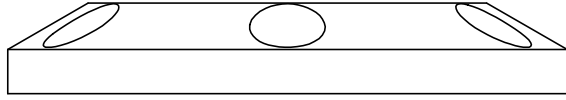
DWG NO

-31 Actuator piston A4

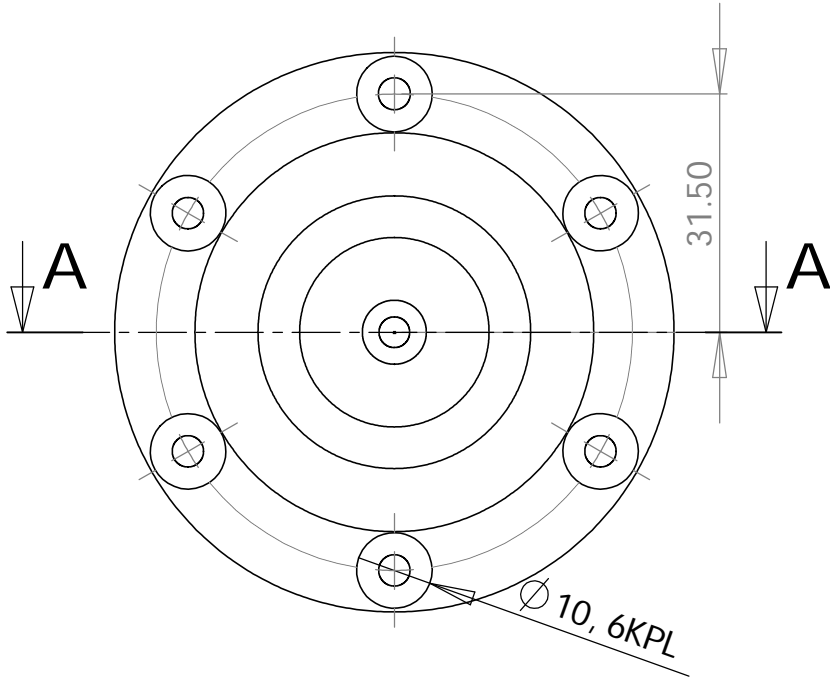
SCALE:1:1

SHEET 1 OF 1

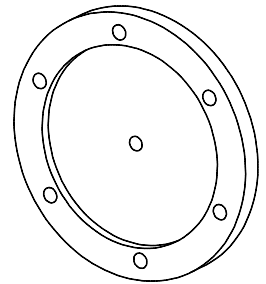
A



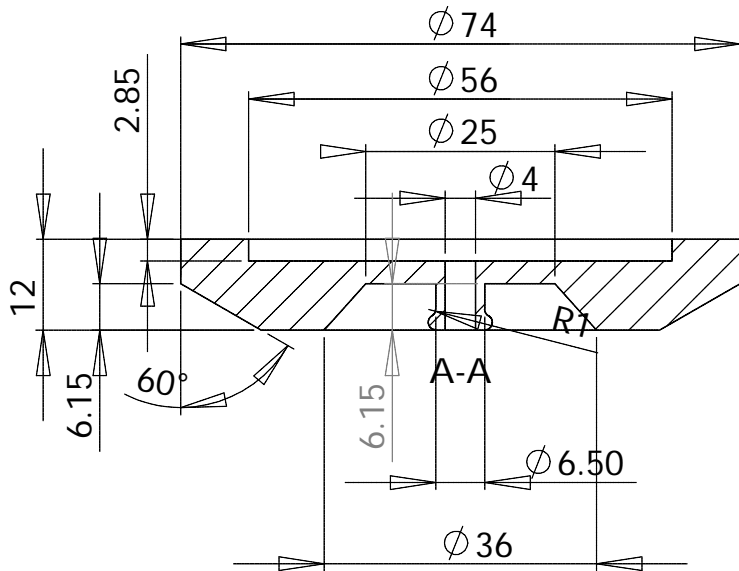
B



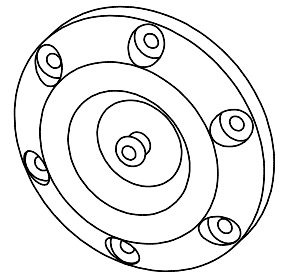
C



D



E



UNLESS OTHERWISE SPECIFIED:  
 DIMENSIONS ARE IN MILLIMETERS  
 SURFACE FINISH:  
 TOLERANCES:  
 LINEAR:  
 ANGULAR:

FINISH:

DEBUR AND  
 BREAK SHARP  
 EDGES

DO NOT SCALE DRAWING REVISION

[WWW.COSWORTHRSCLUB.COM](http://WWW.COSWORTHRSCLUB.COM)

	NAME	SIGNATURE	DATE		
DRAWN	HS				
CHK'D					
APPV'D					
F MFG					
Q.A					
				MATERIAL:	
				ALUMINIUM	
				WEIGHT:	

TITLE:  
**-31 ACTUATOR LID  
 ALUMINIUM**

DWG NO. **-31 Actuator lid** A4

SCALE:1:1 SHEET 1 OF 1



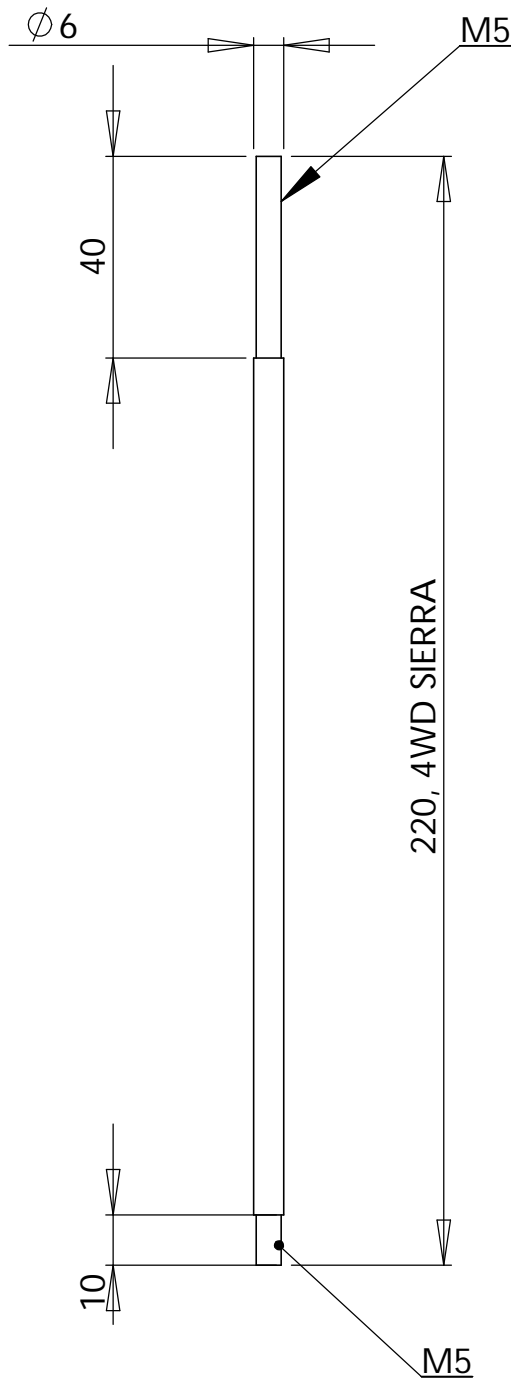
A

B

C

D

E



UNLESS OTHERWISE SPECIFIED:  
 DIMENSIONS ARE IN MILLIMETERS  
 SURFACE FINISH:  
 TOLERANCES:  
 LINEAR:  
 ANGULAR:

FINISH:

DEBUR AND  
 BREAK SHARP  
 EDGES

DO NOT SCALE DRAWING

REVISION

WWW.COSWORTHRSCLUB.COM

	NAME	SIGNATURE	DATE		
DRAWN	HS				
CHK'D					
APPV'D					
F MFG					
Q.A					
				MATERIAL:	
				AISI304 STAINLESS	
				STEEL	
				WEIGHT:	

TITLE:	
-31 ACTUATOR ROD	
DWG NO.	A4
-31 Actuator rod	
SCALE:1:5	SHEET 1 OF 1