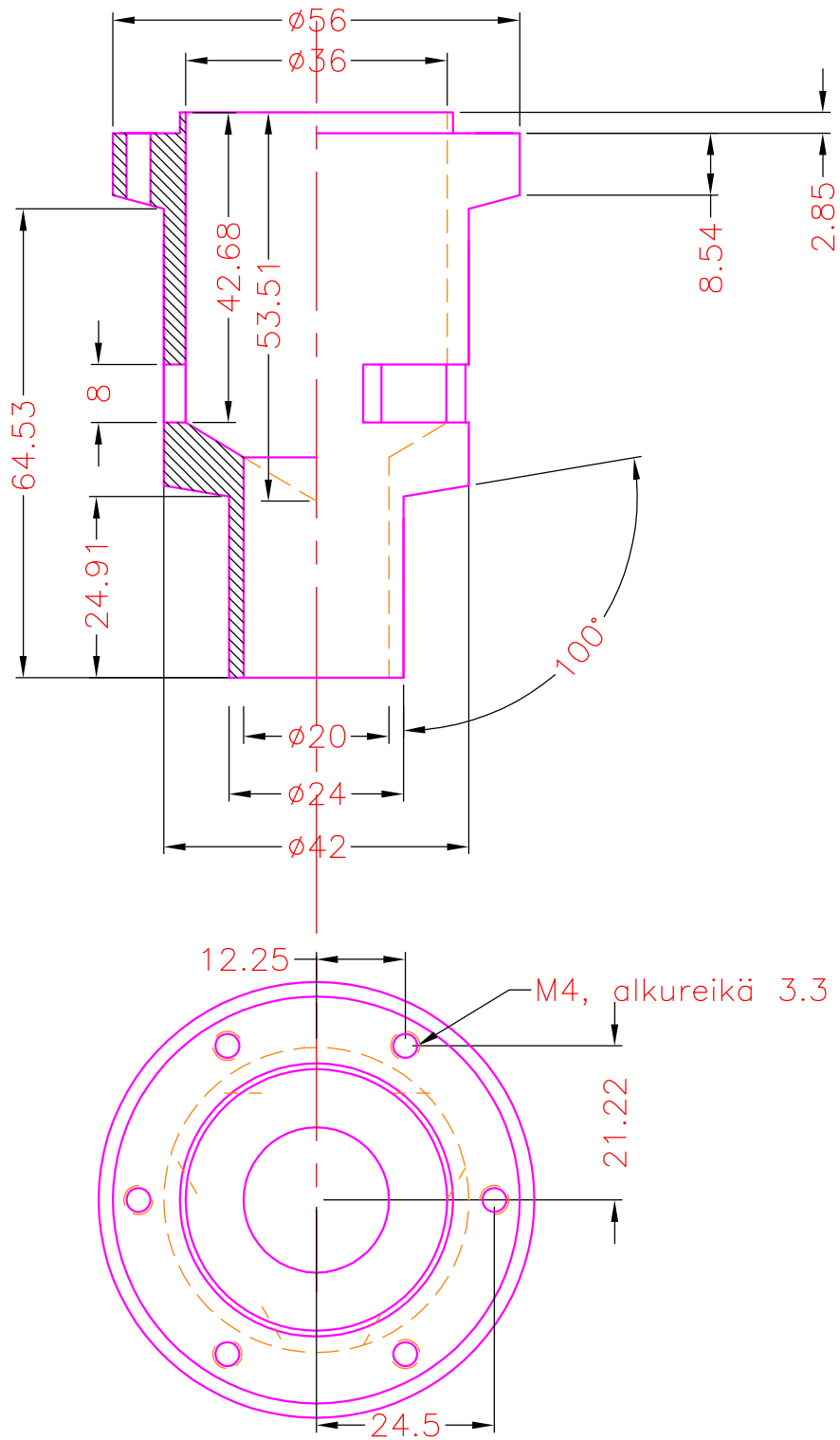


Mark	Rev.	Date	Rev. by	Appr.



Alumiini

Part no.	Drawing no.	Title/Name, designation	Standard	Dimensions, model no.	Quantity
----------	-------------	-------------------------	----------	-----------------------	----------

General tolerances SFS 4011 FINE	Scale 1 : 1	Join	File DUMPVALVE.DWG	
-------------------------------------	----------------	------	-----------------------	--

<a href="http://WWW.COSWORTHRSCLUB.COM">WWW.COSWORTHRSCLUB.COM</a> <b>CRSC</b> Cosworth & RS Club Finland ry.	Drawing description DUMP VALVE RUNKO
	Drawing number <b>000</b>
Drawn <b>15.3.02 HS</b>	Appr. <b>Pvm nn</b>